

TEAC

SERVICE MANUAL

CT-M489 MKII

20" CTV

Effective: March, 1996.

CTM489MK2SER

SPECIFICATION

SYSTEM	:	PAL-B/G	
DESTINATION	:		
CHANNEL	:	2 - 4	CI
COVERAGE	:	5 - 12	CI
	:	21 - 69	CI
FREQUENCY	:	48.25 - 62.25	MHz
RANGE	:	175.25 - 224.25	MHz
	:	471.25 - 855.25	MHz
SCANNING	:	625	LINES
	:	15625	Hz
	:	50	Hz
IF FREQUENCY	:		
	:	38.9	MHz
	:	33.4	MHz
VISION/SOUND SEPARATION	:	5.5	MHz
SENSITIVITY	:		
	:	32	uV
	:	56	uV
	:	80	uV
OUTPUT POWER MAXIMUM	:	1300	mW
	:	1000	mW
CRT	:	20" (35.5cm) DIAGONAL, 22.5 mm NECK DIAMETER 90° DEFLECTION ANGLE	
SPEAKER	:	2" X 3-1/2" 8 OHM 3W	
ANTENNA IMPEDANCE	:	75 OHM	
POWER CONSUMPTION	:	75 Watts	

VIF ALIGNMENT

A. Preparation Step (See Fig. 1)

- (i) Connect AGC bias voltage to TP101, the DC supply should be turned off this time.
- (ii) Connect 14V B+ bias voltage to D404 (-) and Ground.
- (iii) Connect 14V B+ to Q401 'C'.
- (iv) Connect sweep generator to tuner test point and Ground.
- (v) Connect waveform detector to TP106 and Ground.

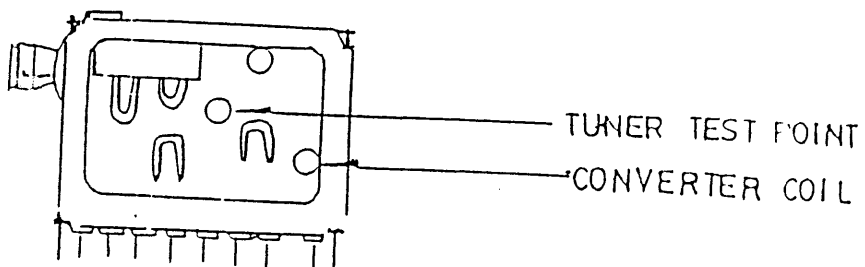
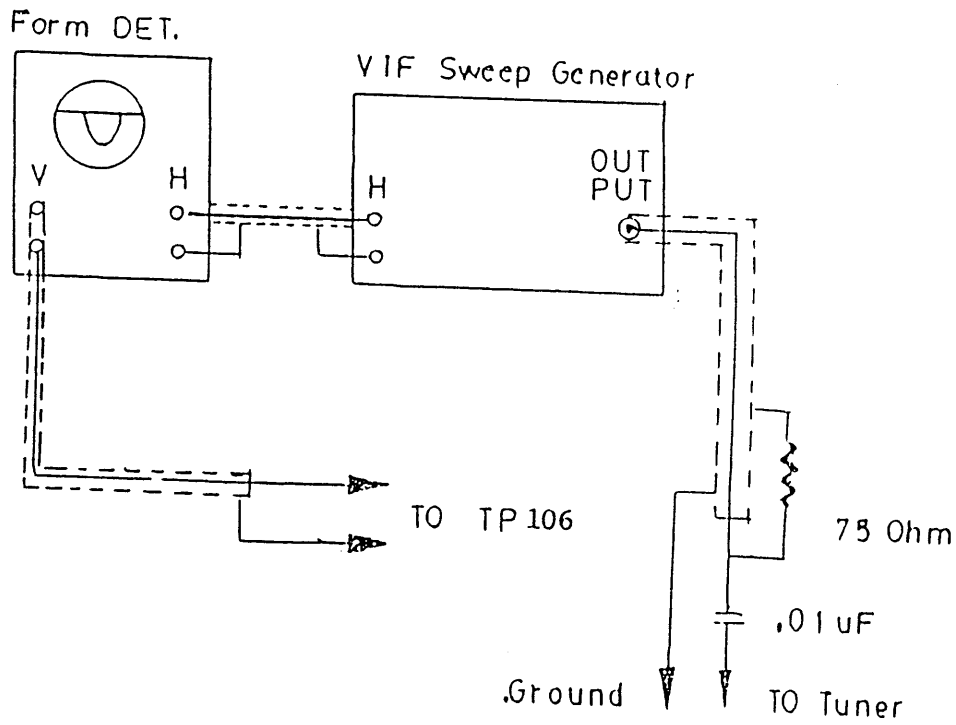


Fig.1

B. Tank Coil Alignment Step (See Fig. 2)

- (i) Calibrate the Division of waveform Detector equal to 100 mV per div.
- (ii) The output of sweep generator should be -50dB.
- (iii) Adjust AGC bias until the output waveform equal to 1V p.p. (10 div.)

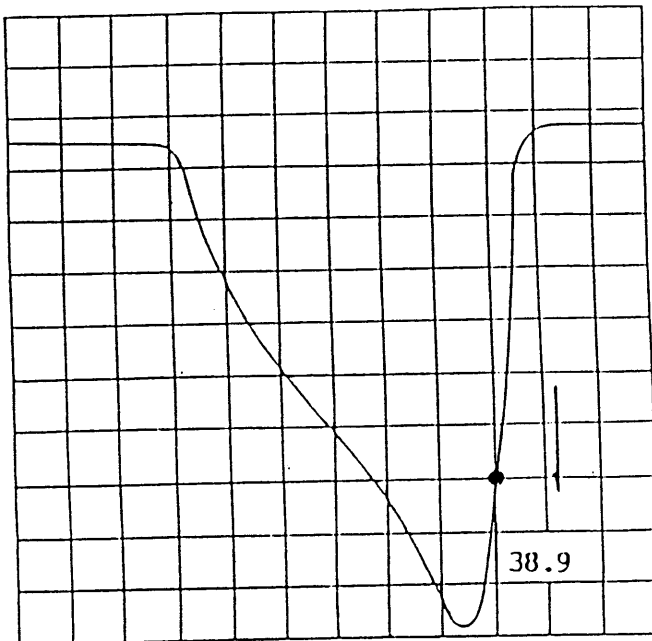


Fig. 2

- (v) Turn T101 until the marker 38.9MHz falls to the lowest point as Fig.2.

C. VIF Alignment

- (i) Connect 100 ohm resistor between TP103 and TP104.
- (ii) Adjust T104 until obtain the maximum waveform amplitude. (If Provided.)
- (iii) Adjust AGC bias, and maintain the waveform achieve 1V pp.

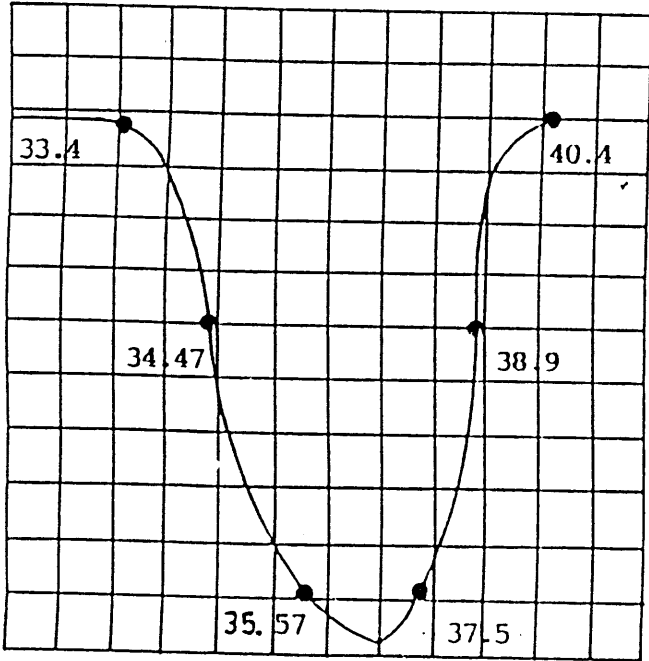


Fig.3

D. AFC ALIGNMENT

- (1) Remove the 100 ohm resistor from TP103 and TP104.
- (2) Disconnect the soldering pad of tuner IF out.
- (3) Apply PAL IF signal (38.9 MHz) modulated with a color bar pattern to C114.
- (4) Connect a digital voltage meter TP102 and ground.
- (5) Adjust T103 to obtain a reading of 5.5V.

B. SIF Alignment

- (i) Connect the sweep generator to TP105.
- (ii) Connect waveform detect to TP106.
- (iii) The output of sweep generator should be -20dB.
- (iv) Adjust T102 to obtain the waveform as Fig.5.

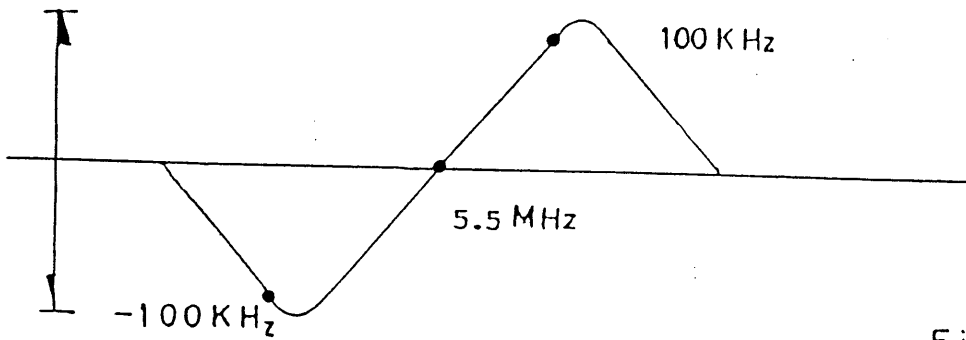


Fig.5

B+ ADJUSTMENT

- 1) Connect a digital volt meter to TPB+ and ground.
- 2) Set Brightness, contrast and colour to maximum.
- 3) Adjust VR901 and obtain a reading of 112V.

HORIZONTAL CIRCUIT ADJUSTMENT

- 1) Receive Monoscope Pattern input signal 80dBuV.
- 2) Connect terminal 20 PIN of IC401 and the ground with the Mylar Cap. 0.1 MFD.
- 3) Adjust VR404 to obtain the picture running at center.
- 4) Adjust VR405 to obtain the picture at center.

VERTICAL CIRCUIT ADJUSTMENT

- 1) Receive the Monoscope Pattern.
- 2) Adjust V-size (VR 402) to obtain a normal picture.
- 3) Adjust V-HOLD. (VR401)

WHITE BALANCE ALIGNMENT STEP

(deguss the picture by deguassing coil if necessary)

- 1) Turn the brightness, contrast and picture control to minimum value.
- 2) Turn VR501,502,504 to middle position. Turn VR503,505 to middle position.
- 3) Turn VR303 to middle position.
- 4) Receive a black and white pattern.
- 5) Connect a digital meter between G2 and Ground on CRT Board.
- 6) Adjust screen volume on FBT to obtain a 310V. (impedance of digital meter should be 10M)
- 7) Adjust VR501,504,503,505 to make the picture uniformly white. (9300°K)

SUB-BRIGHTNESS ALIGNMENT

- 1) Receive a colour bar pattern.
- 2) Turn the brightness, contrast and colour to minimum.
- 3) Adjust VR303 until the brightest bar can just be seen..

FOCUS ALIGNMENT

- 1) Set the brightness and contrast to middle position.
- 2) Receive a monoscope pattern.
- 3) Adjust focus control to obtain sharpest picture.

AGC ALIGNMENT

- 1) Receive CH69 (UHF) and input field strength in 63dB.±3dB input.
- 2) Adjust VR101 to the point where noise is disappeared.

PAL COLOUR ALIGNMENT

- (1) Receive Philips Pattern.
- (2) Connect Oscilloscope to T301.
- (3) Set color control to maximum position.
- (4) Adjust T301 and VR302,307 to obtain the waveform as Fig.6.
- (5)

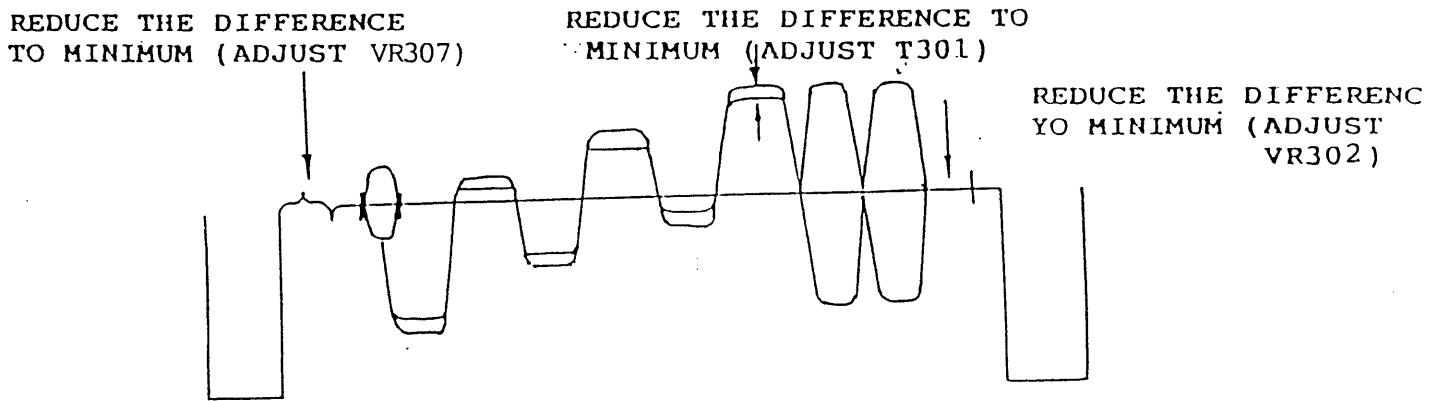


Fig.6

VOLTAGE TABLE FOR IC					
SYMBOL PIN NO.	IC 101 (V)	IC 201 (V)	IC 301 (V)	IC 401 (V)	
1	0.49	GND	2.7-3.6	8.72	
2	3	7.1	6.8	2.2	
3	8.5	15	2.8	25	
4	GND	14.65	1.2	8	
5	3.6	1.15	1.6-2	GND	
6	3.6	6.8	2	GND	
7	GND	3-7.15	8.5	0.5	
8	2.6	2.75	2.6	0.17	
9	3	GND	1.5-4.5	25	
10	5.9		2.6	13.5	
11	2.9		GND	4.56	
12	2.9		2.1	4.51	
13	GND		6.25	2.17	
14	2.9		3.45	2.35	
15	6		GND	GND	
16	3.2		4.3	GND	
17	0.1		3.56	1.47	
18	4.7		3.49	1.46	
19	4.7		3.37	1.21	
20	3.5		8.5	2.2	

NOTE: VOLTAGE ARE TAKEN UNDER TUNED CONDITION WITH

CONTRAST : Maximum Position
 BRIGHTNESS : Maximum Position
 COLOR : Maximum Position
 SIGNAL INPUT : 80 dBuV
 CHANNEL SETTING : The Last Channel of UHF High
 SIGNAL PATTERN : Colour Bar

VOLTAGE TABLE FOR IC

SYMBOL		IC 601	IC 701		
PIN NO.		(V)	(V)		
1		0	0		
2		0	2.6		
3		0	2.6		
4		0	2.6		
5		4.7	2.6		
6		4.7	2.6		
7		4.7	2.6		
8		4.7	2.6		
9		4.7	0		
10		GND	0		
11		0.5	2.6		
12		0.5	0		
13		0.5	0		
14		0.18	0		
15		2.5	0		
16		GND	0		
17		4.4	0		
18		5.46	0		
19		4.4	0		
20		GND	2.6		
21		4.4			
22		4.4			
23		4.4			
24		4.7			
25		1.8			
26		2.6			
27		4.7			
28		4.7			
29		0			
30		0.2			
31		0.2			
32		0.2			
33		4.2			
34		4.7			
35		0			
36		0-4.6			
37		0-2.3			
38		0-2.5			
39		4			
40		4.7			

NOTE: VOLTAGE ARE TAKEN UNDER TUNED CONDITION WITH

- CONTRAST : Maximum Position
- BRIGHTNESS : Maximum Position
- COLOR : Maximum Position
- SIGNAL INPUR : 80 dBuV
- CHANNEL SETTING : The Last Channel of UHF High
- SIGNAL PATTERN : Colour Bar

VOLTAGE TABLE FOR TRANSISTOR

	B (V)	C (V)	E (V)		B (V)	C (V)	E (V)
Q001	4.1	12.4	3.5	Q506	2.2	8.5	3.5
Q002	4.8	0	8.9	Q603	5.4	14	4.7
Q003	2.4	0	3.1	Q604	0	4.7	0
Q004	0.1	8.2	0	Q608	0.6	0	0
Q005	0.9	6.8	0.3	Q609	0	4.7	4.4
Q101	11.6	12.3	12.4	Q701	0	2.6	0
Q102	11.6	12.3	12.4	Q702	2.6	-1.8	2.6
Q103	11.6	12.3	12.4	Q901	9.1	12.9	8.4
Q104	1.1	9	0.3	Q903	0	1.2	0
Q105	0	7	0	Q904	-2.5	291	0
Q106	0.6	0-31	0	Q905	112	112	111
Q107	3.1	8.2	2.5	Q906	111	112	112
Q201	16.1	15.6	15.4	Q907	5.4	0	1.7
Q401	10.2	15.6	8.8				
Q402	0	79	0				
Q403	0	111	0				
Q501	3.6	118	3				
Q502	3.6	105	3				
Q503	3.4	122	2.8				
Q504	2.2	8.5	3.5				
Q505	2.2	8.5	3.5				

NOTE: VOLTAGE ARE TAKEN UNDER TUNED CONDITION WITH

- CONTRAST : Maximum Position
- BRIGHTNESS : Maximum Position
- COLOR : Maximum Position
- SIGNAL INPUT : 80 dBuV
- CHANNEL SETTING : The Last Channel of UHF High
- SIGNAL PATTERN : Colour Bar

Print Date : 03/28/96

Page Number : 1

<< B.O.M. PRICE LIST FOR CUSTOMER >> - CURRENCY (USD)

PRODUCT CODE : 9420T0-280002-TV

DESCRIPTION : 9420B PAL BG/AV IN/HEAD-PHONE S.GREY 240V SAA {SGS 47P}TEAC

ASSEMBLY NUMBER	DESCRIPTION
-----	-----
155-921304-00-02	COMMON PART HANDSET ASS'Y{SGS 1 CHIP IC}
180-9420T0-28-02	NON-COM PART ASS'Y PAL BG W/AV IN/HEAD-
180-9420T0-28-CP	COMMON PART ASS'Y PAL BG W/AV IN/HEAD-

** THIS SPARE LIST IS MADE FOR TECHNICAL / MAINTENANCE REFERENCE ONLY **

** THIS SPARE LIST IS MADE FOR TECHNICAL / MAINTENANCE REFERENCE ONLY **

Print Date : 03/28/96 PRODUCT CODE : 9420T0-280002-TV
 Page Number : 2 DESCRIPTION : 9420B PAL BG/AV IN/HEAD-PHONE S.GREY 240V SAA {SGS 47P}TEAC

Component Part	Description / Location
*** ASSEMBLY : 155-921304-00-02 COMMON PART HANDSET ASS'Y(SGS 1 CHIP IC)	
107-800455-46	455K HZ RESONATOR CSB455EB MURATA X701
113-100005-17	CARBON FILM RESISTOR 10 OHM 1/16W +-5% R701
113-103005-17	CARBON FILM RESISTOR 10K OHM 1/16W +-5% R703
113-229005-17	CARBON FILM RESISTOR 2.2 OHM 1/16W +-5% R702
113-330005-17	CARBON FILM RESISTOR 33 OHM 1/16W +-5% R704
123-101350-60	CERAMIC CAP. 100 PF 50V +-10% (SL TYPE) C702,703
127-476042-03	ELECT. CAP. 47 MFD 16V +-20% C701
130-134148-01	SILICON DIODE IN4148 D701,702
130-600101-00	INFRARED EMITTER EL-1L1 KODENSHI LED 701
131-210719-29	TRANSISTOR 2SA719R/S MATSUSHITA Q702
131-230945-00	TRANSISTOR 2SC945 NEC Q701
133-830041-31	IC M3004LAB1 (SGS) IC701
172-626010-42	UL 1007 TOP COAT WIRE AWG 26 100MM RED 10 X 10MM FOR REMOTE P.C.B. '+' TO BATTERY CONTACT PLATE '+'
172-626012-40	UL 1007 TOP COAT WIRE AWG 26 120MM BLACK 10 X 10 MM FOR REMOTE P.C.B. '-' TO BATTERY CONTACT PLATE '-'
172-726000-99	BARE WIRE 54MM W701,702
190-921306-02	REMOTE P.C.B.
514-260410-00	SELF-TAPPING SCREW 2.6 X 10 B/T (HARDEN) CAB. MTG.
774-931301-00	BATTERY SPRING (+-)
774-931302-00	BATTERY SPRING (+)
774-931303-00	BATTERY SPRING (-)
810-040904-13	POLYBAG 4" X 9" X 0.04MM W/ RE-CYCLING MARK FOR HANDSET
849-921302-00	CONTACT RUBBER KEY PAD (24 KEYS)
892-921302-04	DIAL KEY PLATE - ENG STD (24 KEYS) "47 PROG."
900-921311-47	HANDSET TOP CABINET - TEAC DESIGN
902-921311-01	HANDSET BOTTOM CAB. - BLACK MOULDED (3A)
910-921301-01	BATTERY DOOR (3A)
964-921301-01	SENSOR LENS

** THIS SPARE LIST IS MADE FOR TECHNICAL / MAINTENANCE REFERENCE ONLY **

Print Date : 03/28/96 PRODUCT CODE : 9420T0-280002-TV
 Page Number : 3 DESCRIPTION : 9420B PAL BG/AV IN/HEAD-PHONE S.GREY 240V SAA {SGS 47P}TEAC

Component Description / Location
 Part

 *** ASSEMBLY : 180-9420T0-28-02 NON-COM PART ASS'Y PAL BG W/AV IN/HEAD-
 002-120001-46 CRT20" A48KRD82X09/A48KRD89X09 (SOUTH HEMISPHERE CRT) SAMSU
 003-131424-02 TUNER OSCAR UVE33-W24/R16-3649MITSUMI
 TUNER
 105-109101-02 FIXED INDUTIVE COIL 1.0 UH 10%
 L201
 107-105500-66 SOUND TRAP CERAMIC FILTER 5.5MHZ TPS-5.5MB MURATA
 CF102
 107-305500-16 SOUND BYPASS CERAMIC FILTER 5.5MHZ SFE-5.5MB MURATA
 CF101
 107-738916-00 SAW FILTER TSF-5316 SANYO
 SA101
 113-101105-17 CARBON FILM RESISTOR 100 OHM 1/4W +-5%
 R209
 113-102105-17 CARBON FILM RESISTOR 1K OHM 1/4W +-5%
 R004,006
 113-103105-17 CARBON FILM RESISTOR 10K OHM 1/4W +-5%
 R010,013,005,012,108,109,110
 113-151105-17 CARBON FILM RESISTOR 150 OHM 1/4W +-5%
 R001,017
 113-153105-17 CARBON FILM RESISTOR 15K OHM 1/4W +-5%
 R014
 113-222105-17 CARBON FILM RESISTOR 2.2K OHM 1/4W +-5%
 R008,009
 113-333105-17 CARBON FILM RESISTOR 33K OHM 1/4W +-5%
 R003
 113-471105-17 CARBON FILM RESISTOR 470 OHM 1/4W +-5%
 R007
 113-472105-17 CARBON FILM RESISTOR 4.7K OHM 1/4W +-5%
 R016,011
 113-563105-17 CARBON FILM RESISTOR 56K OHM 1/4W +-5%
 R002
 123-103370-90 CERAMIC CAP. 0.01 MFD 50V +80 -20%
 C114,212
 123-302350-90 CERAMIC CAP. 0.003 MFD 50V +-10% (B TYPE)
 C005
 123-471350-60 CERAMIC CAP. 470 PF 50V +-10% (SL TYPE)
 C002
 127-106042-03 ELECT. CAP. 10 MFD 16V +-20%
 C006,008,009
 127-336042-03 ELECT. CAP. 33 MFD 16V +-20%
 C001
 127-336042-23 ELECT. CAP. BIPOLAR 33 MFD 16V+-20%
 C003,007
 130-134148-01 SILICON DIODE IN4148
 D001,002,003
 131-211015-00 TRANSISTOR 2SA1015 TOSHIBA
 Q002,003
 131-231815-25 TRANSISTOR 2SC1815 TOSHIBA
 Q001,004,005

** THIS SPARE LIST IS MADE FOR TECHNICAL / MAINTENANCE REFERENCE ONLY **

Print Date : 03/28/96 PRODUCT CODE : 9420T0-280002-TV
 Page Number : 4 DESCRIPTION : 9420B PAL BG/AV IN/HEAD-PHONE S.GREY 240V SAA {SGS 47P}TEAC

Component Part	Description / Location
161-121002-00	MINI JACK #HSJ0916-012-010 HOSIDEN J201
161-470002-00	RCA JACK HYJ-032-03B BLACK "MING FUNG" J002
161-470003-00	RCA JACK HYJ-032-03Y YELLOW "MING FUNG" J001
171-550084-02	84" AC LINE CORD (END-CUT)SAA APPW/7.5A PLUG.
172-626010-42	UL 1007 TOP COAT WIRE AWG 26 100MM RED 10 X 10MM MAIN P.C.B. `J' TO `J'
172-626010-44	UL 1007 TOP COAT WIRE AWG 26 100MM YELLOW 10 X 10 MAIN P.C.B. `I' TO `I'
172-726000-99	BARE WIRE 54MM W104,157
186-227503-14	BATTERY 3A
610-942101-35	GIFT BOX - TEAC DESIGN
663-230535-95	SERIAL NO.LABEL - OC:GT-535/95
669-942001-11	RATING LABEL - TEAC DESIGN
670-942000-76	I/MANUAL - TEAC DESIGN (ENG)
678-881303-06	TOTAL CARE STICKER - TEAC DESIGN (BLK & WHITE)
678-922109-01	EASY TUNE CARD - TEAC DESIGN STUCK TOGETHER WITH SCREEN STICKER
678-942002-03	SCREEN STICKER - TEAC DESIGN
690-922139-01	WARRANTY CARD- TEAC (A) DESIGN
693-942001-01	EAN CODE LABEL - {CODE NO:931306 0006549}
703-942110-00	SPEAKER GRILLE (B) BLACK SPRAY(BOTH SIDE)
800-942111-00	POLYFOAM (B) - TOP LEFT
800-942112-00	POLYFOAM (B) - TOP RIGHT
800-942113-00	POLYFOAM (B) - BOTTOM LEFT
800-942114-00	POLYFOAM (B) - BOTTOM RIGHT
810-404004-14	POLYBAG 40"X40"X0.04MM W/PUNCHHOLE & RE-CYLING MARK P/O M FOR UNIT
826-302005-00	FOAM SHEET 30" X 20" X 0.5MM THK.
826-342005-00	FOAM SHEET - 34" X 20" X 0.5MM
884-882010-01	JACK COVER - W/ WHITE SS W/AV IN HOLE
884-942034-01	P/PLATE-BLK/L.GREY S.S.ENG STD(11 KEYS)P/BG SGS IC EAR JAC
900-942010-03	FRONT CABINET (B) SONY GREY
902-942111-U0	BACK CABINET W/O WOOFER (UL)
917-942110-01	REMOTE LENS (B) - T.RED W/GOLDS.S. ENG STD
919-942110-39	PRESET DOOR - TEAC (A) DESIGN (W/CABLE READY)
986-882801-09	NAME PLATE - TEAC DESIGN

** THIS SPARE LIST IS MADE FOR TECHNICAL / MAINTENANCE REFERENCE ONLY **

Print Date : 03/28/96 PRODUCT CODE : 9420T0-280002-TV
 Page Number : 5 DESCRIPTION : 9420B PAL BG/AV IN/HEAD-PHONE S.GREY 240V SAA {SGS 47P}TEAC

Component Part	Description / Location
*** ASSEMBLY : 180-9420T0-28-CP COMMON PART ASS'Y PAL BG W/AV IN/HEAD-	
001-220027-07	FLYBACK TRANSFORMER FCM20B027 SAMSUNG T402
008-550201-05	DEGAUSSING COIL 60T 44MM X 34 MM (W/FIVE LAYERS OF TAPE)
012-102340-06	SEMI-FIXED RESISTOR EVND8AA 03B13 1KB VR901
012-103340-06	SEMI-FIXED RESISTOR EVND8AA 03B14 10KB VR101
012-202340-06	SEMI-FIXED RESISTOR EVND8AA 03B23 2KB VR302
012-203340-06	SEMI-FIXED RESISTOR EVND8AA 03B24 20KB VR404,405
012-204340-06	SEMI-FIXED RESISTOR EVND8AA 03B25 200KB VR303,401
012-301330-06	SEMI-FIXED RESISTOR EVND2AA 03B32 300B VR503,505
012-501340-06	SEMI-FIXED RESISTOR EVND 8AA 03B52 500B VR402
012-502330-06	SEMI-FIXED RESISTOR EVND2AA 03B53 5KB VR501,502,504
012-502340-06	SEMI-FIXED RESISTOR EVND8AA 03B53 5KB VR307
013-100004-00	GLASS DELAY LINE ENF-650A11-0 WEI HAW DLY302
013-200005-00	Y-DELAY LINE YBL50F18X DLY301
101-191005-96	HORIZONTAL DRIVE TRANSFORMER R1005 T401
101-288820-95	LINE FILTER 70MH L901
101-414214-94	SWITCHING POWER TRANSFORMER HL4025B (HIGHLIGHT) T901
102-370600-02	TANK COIL / AFC COIL COILS 707851 T103,101
102-670100-02	SOUND IF COILS 707532 T102
102-770200-02	SECAM COLOR PAL DELAY LINE MATCHING COILS 707850 T301
105-109101-02	FIXED INDUTIVE COIL 1.0 UH 10% L109,102
105-121101-02	FIXED INDUCTIVE COIL 120UH +-10% L501
105-150101-02	FIXED INDUCTIVE COIL 15UH 10% L401,104
105-180101-02	FIXED INDUTIVE COIL 18 UH +-10% L302
105-201106-02	CHOKE COIL 200UH 10% CH9012- 201K (ELEC PRODUCT) L903
105-270103-08	FIXED INDUCTIVE COIL 27UH L601

** THIS SPARE LIST IS MADE FOR TECHNICAL / MAINTENANCE REFERENCE ONLY **

Print Date : 03/28/96 PRODUCT CODE : 9420T0-280002-TV
 Page Number : 6 DESCRIPTION : 9420B PAL BG/AV IN/HEAD-PHONE S.GREY 240V SAA {SGS 47P}TEAC

Component Part	Description / Location	
105-569101-02	FIXED INDUCTIVE COIL 5.6UH L105	+ -10%
105-650052-13	LINEARITY COIL 65UH FOR 20" L402	CRT
105-689103-08	FIXED INDUCTOR COIL 6.8 UH L301	+ -10% AXIAL
105-828103-02	FIXED INDUCTIVE COIL 0.82UH L101	10% AXIAL TYPE
107-808000-66	RESONATOR 8MHZ X601	
113-101105-17	CARBON FILM RESISTOR 100 OHM R314,316,318,438	1/4W +-5%
113-101205-12	CARBON FILM RESISTOR 100 OHM R649	1/2W +-5%
113-102105-17	CARBON FILM RESISTOR 1K OHM R140,134,114,432,669,326,301	1/4W +-5%
113-103105-17	CARBON FILM RESISTOR 10K OHM R418,908,349,204,320,309,129	1/4W +-5%
113-103105-17	CARBON FILM RESISTOR 10K OHM R130,104,120,118,640,321,617,122	1/4W +-5%
113-103405-75	METAL OXIDE FILM RESISTOR 10K OHM 2W R132	+ -5%
113-104105-17	CARBON FILM RESISTOR 100K OHM R422,429,642,670,119,634,613,614,CF103	1/4W +-5%
113-104205-12	CARBON FILM RESISTOR 100K OHM R923	1/2W +-5%
113-104305-75	METAL OXIDE FILM RESISTOR 100KOHM 1W R921	+ -5%
113-109305-75	METAL OXIDE FILM RESISTOR 1 OHM R410	1W +-5%
113-120305-75	METAL OXIDE FILM RESISTOR 12 OHM R911	1W +-5%
113-120405-75	METAL OXIDE FILM RESISTOR 12 OHM R920	2W +-5%
113-122105-17	CARBON FILM RESISTOR 1.2K OHM R407,648,303	1/4W +-5%
113-122205-12	CARBON FILM RESISTOR 1K2 OHM R405	1/2W +-5%
113-123105-17	CARBON FILM RESISTOR 12K OHM R436,441	1/4W +-5%
113-123405-75	METAL OXIDE FILM RESISTOR 12K OHM R510,511,505	2W +-5%
113-151105-17	CARBON FILM RESISTOR 150 OHM R307,116	1/4W +-5%
113-151305-75	METAL OXIDE FILM RESISTOR 150 OHM R406	1W +-5%
113-152105-17	CARBON FILM RESISTOR 1.5K OHM R419,311	1/4W +-5%
113-153105-17	CARBON FILM RESISTOR 15K OHM R650,668	1/4W +-5%

** THIS SPARE LIST IS MADE FOR TECHNICAL / MAINTENANCE REFERENCE ONLY **

Print Date : 03/28/96 PRODUCT CODE : 9420T0-280002-TV
 Page Number : 7 DESCRIPTION : 9420B PAL BG/AV IN/HEAD-PHONE S.GREY 240V SAA {SGS 47P}TEAC

Component Part	Description / Location
113-154205-12	CARBON FILM RESISTOR 150K OHM 1/2W +-5% R415
113-159405-42	NON-FLAMMABLE FUSE RESISTOR 1.5 OHM 2W +-5% R501
113-182105-17	CARBON FILM RESISTOR 1.8K OHM 1/4W +-5% R907,312,126,304
113-183105-17	CARBON FILM RESISTOR 18K OHM 1/4W +-5% R657,313,638
113-184105-17	CARBON FILM RESISTOR 180K OHM 1/4W +-5% R618
113-202605-75	METAL OXIDE FILM RESISTOR 2K OHM 5W +-5% R413
113-203105-17	CARBON FILM RESISTOR 20K OHM 1/4W +-5% R325
113-204105-17	CARBON FILM RESISTOR 200K OHM 1/4W +-5% R408
113-220505-75	METAL OXIDE FILM RESISTOR 22 OHM 3W +-5% R442
113-221105-17	CARBON FILM RESISTOR 220 OHM 1/4W +-5% R423,117,666
113-222105-17	CARBON FILM RESISTOR 2.2K OHM 1/4W +-5% R206,513,509,507,514,515,516
113-223105-17	CARBON FILM RESISTOR 22K OHM 1/4W +-5% R435,428,137,635
113-224105-17	CARBON FILM RESISTOR 220K OHM 1/4W +-5% R207,107
113-229105-17	CARBON FILM RESISTOR 2.2 OHM 1/4W +-5% R208,404,433
113-229405-75	METAL OXIDE FILM RESISTOR 2.2 OHM 2W +-5% R902,201
113-229605-51	WIRE WOUND CEMENT RESISTOR 2.2 OHM 5W +-5% R901
113-243105-17	CARBON FILM RESISTOR 24K OHM 1/4W +-5% R305
113-270105-17	CARBON FILM RESISTOR 27 OHM 1/4W +-5% R115
113-270405-75	METAL OXIDE FILM RESISTOR 27 OHM 2W +-5% R912,414
113-272105-17	CARBON FILM RESISTOR 2.7K OHM 1/4W +-5% R319,317,315,426,623
113-272205-12	CARBON FILM RESISTOR 2.7K OHM 1/2W +-5% R922,412,503,502,504
113-273101-67	METAL FILM RESISTOR 27K OHM 1/4W +-1% R151
113-273105-17	CARBON FILM RESISTOR 27K OHM 1/4W +-5% R425,138
113-274105-17	CARBON FILM RESISTOR 270K OHM 1/4W +-5% R619,451
113-331105-17	CARBON FILM RESISTOR 330 OHM 1/4W +-5% R905

** THIS SPARE LIST IS MADE FOR TECHNICAL / MAINTENANCE REFERENCE ONLY **

Print Date : 03/28/96 PRODUCT CODE : 9420T0-280002-TV
 Page Number : 8 DESCRIPTION : 9420B PAL BG/AV IN/HEAD-PHONE S.GREY 240V SAA {SGS 47P}TEAC

Component Part	Description / Location
113-332102-17	CARBON FILM RESISTOR 3.3K OHM 1/4W +-2% R904
113-332105-17	CARBON FILM RESISTOR 3.3K OHM 1/4W +-5% R205,128
113-333105-17	CARBON FILM RESISTOR 33K OHM 1/4W +-5% R123,660,310,606
113-334105-17	CARBON FILM RESISTOR 330K OHM 1/4W +-5% R658,401,616
113-334305-75	METAL OXIDE FILM RESISTOR 330KOHM 1W +-5% R913
113-338405-75	METAL OXIDE FILM RESISTOR 0.33OHM 2W +-5% R914
113-390605-75	METAL OXIDE FILM RESISTOR 39 OHM 5W +-5% R915
113-391105-17	CARBON FILM RESISTOR 390 OHM 1/4W +-5% R506,508,450
113-471105-17	CARBON FILM RESISTOR 470 OHM 1/4W +-5% R654,127,125
113-471305-75	METAL OXIDE FILM RESISTOR 470 OHM 1W +-5% R411
113-472105-17	CARBON FILM RESISTOR 4.7K OHM 1/4W +-5% R910,602,603,601,427,139,672,673,203,662,663,664
113-472105-17	CARBON FILM RESISTOR 4.7K OHM 1/4W +-5% R607,605,653,604,611
113-473105-17	CARBON FILM RESISTOR 47K OHM 1/4W +-5% R612
113-475105-17	CARBON FILM RESISTOR 4.7M OHM 1/4W +-5% R322,323,324
113-479105-17	CARBON FILM RESISTOR 4.7 OHM 1/4W +-5% R160
113-511105-17	CARBON FILM RESISTOR 510 OHM 1/4W +-5% R512
113-514105-17	CARBON FILM RESISTOR 510K 1/4W+-5% R420
113-562105-17	CARBON FILM RESISTOR 5.6K OHM 1/4W +-5% R202,421,105,101,102,103,665,113,106
113-563105-17	CARBON FILM RESISTOR 56K OHM 1/4W +-5% R136,156
113-565210-92	CARBON COMPOSITION RESISTOR 5.6M OHM 1/2W +-10% R916,917
113-681105-17	CARBON FILM RESISTOR 680 OHM 1/4W +-5% R402,124
113-681205-12	CARBON FILM RESISTOR 680 OHM 1/2W +-5% R431
113-682102-17	CARBON FILM RESISTOR 6.8K OHM 1/4W +-2% R903
113-682105-17	CARBON FILM RESISTOR 6.8K OHM 1/4W +-5% R909,153
113-683105-17	CARBON FILM RESISTOR 68K OHM 1/4W +-5% R131

** THIS SPARE LIST IS MADE FOR TECHNICAL / MAINTENANCE REFERENCE ONLY **

Print Date : 03/28/96 PRODUCT CODE : 9420T0-280002-TV
 Page Number : 9 DESCRIPTION : 9420B PAL BG/AV IN/HEAD-PHONE S.GREY 240V SAA {SGS 47P}TEAC

Component Part	Description / Location
113-688205-42	FUSING RESISTOR 0.68 OHM 1/2W +-5% R919
113-688305-42	FUSING RESISTOR 0.68 OHM 1W +-5% R417,416,918
113-752105-17	CARBON FILM RESISTOR 7.5K OHM 1/4W +-5% R622
113-820105-17	CARBON FILM RESISTOR 82 OHM 1/4W +-5% R112
113-821105-17	CARBON FILM RESISTOR 820 OHM 1/4W +-5% R639,610,609
113-822105-17	CARBON FILM RESISTOR 8.2K OHM 1/4W +-5% R906,403
113-823105-17	CARBON FILM RESISTOR 82K OHM 1/4W +-5% R409
114-210200-01	THERMISTOR (NICHICON ZPB53 BL 200C) TH901
123-100340-60	CERAMIC CAP. 10PF +-5% 50V (SL TYPE) C612
123-101340-93	CERAMIC CAP. 100PF 50V +-5% (NPO) C103
123-101350-60	CERAMIC CAP. 100 PF 50V +-10% (SL TYPE) C605
123-102850-10	CERAMIC CAP. 0.001 MFD 2KV +-10% MATSUSHITA C501
123-103370-90	CERAMIC CAP. 0.01 MFD 50V +80 -20% C402,304,125,122,118,115,116,121
123-104270-90	CERAMIC CAP. 0.1 MFD 25V +80 -20% C613
123-122551-90	CERAMIC CAP. 0.0012 MFD 500V +-10% (B TYPE) MATSUSHITA C433
123-150340-93	CERAMIC CAP. 15 PF 50V +-5% (NPO) C609,610,319
123-181350-60	CERAMIC CAP. 180 PF 50V +-10% (SL TYPE) C431,438
123-221350-60	CERAMIC CAP. 220 PF 50V +-10% (SL TYPE) C427
123-221551-90	CERAMIC CAP. 220 PF 500V +-10% MATSUSHITA C915
123-222350-90	CERAMIC CAP. 0.0022 MFD 50V +-10% (B TYPE) C601,607,FOR R635
123-222466-41	CERAMIC CAP. 0.0022 MFD 400V +-20% ECK-DNS222MEX MATSUSHI C921
123-222850-10	CERAMIC CAP. 0.0022 MFD 2KV +-10% MATSUSHITA C911
123-223370-90	CERAMIC CAP. 0.022 MFD 50V +80-20% C626,627
123-271350-60	CERAMIC CAP. 270 PF 50V +-10% (SL TYPE) C503
123-300340-93	CERAMIC CAP. 30 PF 50V +-5% (NPO) C602,603

** THIS SPARE LIST IS MADE FOR TECHNICAL / MAINTENANCE REFERENCE ONLY **

Print Date : 03/28/96 PRODUCT CODE : 9420T0-280002-TV
 Page Number : 10 DESCRIPTION : 9420B PAL BG/AV IN/HEAD-PHONE S.GREY 240V SAA (SGS 47P)TEAC

Component Part	Description / Location
123-331350-60	CERAMIC CAP. 330 PF 50V +-10% (SL TYPE) C502,504
123-390340-93	CERAMIC CAP. 39PF 50V +-5% (NPO) C604,303
123-470340-60	CERAMIC CAP. 47 PF 50V +-5% (SL TYPE) C123
123-471350-60	CERAMIC CAP. 470 PF 50V +-10% (SL TYPE) C126
123-472550-90	CERAMIC CAP. 0.0047 MFD 500V +-10% (B TYPE) C419,424,913
123-472552-90	CERAMIC CAP. 0.0047 MFD 500V +-10% (B TYPE) SMALL SIZE C903,904,907
123-821850-10	CERAMIC CAP. 820 PF 2KV +-10% (SL TYPE) MATSUSHITA C914,435
124-224061-03	TANTALIUM CAP. 0.22 MFD 35V +-10% C413
126-102071-01	MYLAR CAP. 0.001 MFD 50V +-10% C428
126-103071-01	MYLAR CAP. 0.01 MFD 50V +-10% C443
126-104071-01	MYLAR CAP. 0.1 MFD 50V +-10% C908,205,208,411,317,318,407,429,306,307,108,106
126-104071-01	MYLAR CAP. 0.1 MFD 50V +-10% C104,313,314
126-104101-31	POLYPROPYLENE CAP. 0.1 MFD 100V +-10% C440
126-153071-01	MYLAR CAP. 0.015 MFD 50V +-10% C422
126-222071-01	MYLAR CAP. 0.0022 MFD 50V +-10% C204,421,621
126-223071-01	MYLAR CAP. 0.022 MFD 50V +-10% C409,207
126-332071-01	MYLAR CAP. 0.0033 MFD 50V +-10% C316
126-332161-41	METALIZED POLYPROPYLENE CAP. 0.0033 MFD 1600V +-10% C437,436
126-333071-01	MYLAR CAP. 0.033 MFD 50V +-10% C906
126-334071-01	MYLAR CAP. 0.33 MFD 50V +-10% C403
126-392071-01	MYLAR CAP. 0.0039 MFD 50V +-10% C426
126-473071-01	MYLAR CAP. 0.047 MFD 50V +-10% C315,606
126-473211-41	METALLIZED POLYPROPYLENE CAP 0.047 MFD 250V +-10% VDE C902
126-474071-01	MYLAR CAP. 0.47 MFD 50V +-10% C430
126-474201-31	POLYPROPYLENE CAP 0.47 MFD 200V +-10% C414

** THIS SPARE LIST IS MADE FOR TECHNICAL / MAINTENANCE REFERENCE ONLY **

Print Date : 03/28/96 PRODUCT CODE : 9420T0-280002-TV
 Page Number : 11 DESCRIPTION : 9420B PAL BG/AV IN/HEAD-PHONE S.GREY 240V SAA {SGS 47P}TEAC

Component Part	Description / Location
126-474211-41	METALLIZED POLYPROPYLENE CAP 0.47 MFD 250V +-10% VDE C901
126-562071-01	MYLAR CAP. 0.0056 MFD 50V +-10% C425
127-105072-03	ELECT. CAP. 1 MFD 50V +-20% C210,423,611,124,128,320,410
127-105132-03	ELECT. CAP. 1 MFD 160V +-20% C415
127-106042-03	ELECT. CAP. 10 MFD 16V +-20% C619,110,309,312,625,624,201
127-106102-03	ELECT CAP. 10MFD 100V +-20% NICHICON C910
127-107042-03	ELECT. CAP. 100 MFD 16V +-20% C401,119,616,432,310
127-107062-03	ELECT. CAP. 100 MFD 35V +-20% C202,408
127-107132-03	ELECT. CAP. 100 MFD 160V +-20%"NICHICON" C434
127-107402-03	ELECT. CAP. 100 MFD 400V +-20% C905
127-108052-03	ELECT. CAP. 1000 MFD 25V +-20% C211
127-225072-03	ELECT. CAP 2.2 MFD 50V +-20% C129,620,109
127-226042-03	ELECT. CAP. 22 MFD 16V +-20% C132,617,622,308
127-227042-03	ELECT. CAP. 220 MFD 16V +-20% C441
127-227062-03	ELECT. CAP. 220 MFD 35V +-20% C916
127-228052-03	ELECT. CAP. 2200 MFD 25V +-20% C417,412
127-336252-03	ELECT CAP. 33 MFD 250V +-20% C420
127-474072-03	ELECT. CAP. 0.47 MFD 50V +-20% C206,203
127-475052-03	ELECT. CAP. 4.7 MFD 25V +-20% C305,107,111,113,117,112
127-476042-03	ELECT. CAP. 47 MFD 16V +-20% C618
127-476072-07	ELECT.CAP. 47 MFD 50V +-20% NICHICON C406,909
127-476132-03	ELECT. CAP. 47 MFD 160V +-20% C918
127-477042-03	ELECT. CAP. 470 MFD 16V +-20% C209,160,321,404
127-477062-03	ELECT CAP. 470 MFD 35V +-20% C416
130-134148-01	SILICON DIODE IN4148 D101,103,102,604,302,408,501,502,503,606,608

** THIS SPARE LIST IS MADE FOR TECHNICAL / MAINTENANCE REFERENCE ONLY **

Print Date : 03/28/96 PRODUCT CODE : 9420T0-280002-TV
 Page Number : 12 DESCRIPTION : 9420B PAL BG/AV IN/HEAD-PHONE S.GREY 240V SAA {SGS 47P}TEAC

Component Part	Description / Location
130-134148-01	SILICON DIODE IN4148 D406,301,105,106,FOR D606
130-310012-00	RECTIFIER DIODE RU2 SANKEN D404
130-310022-00	RECTIFIER DIODE RG2 SANKEN D904
130-310156-00	BRIDGE RECTIFIER RB156 SANKEN BR901
130-314004-00	RECTIFIER DIODEN 1N4004 D401,402
130-315295-00	RECTIFIER DIODE S5295G TOSHIBA D903,901,902,905,405,403,407
130-410039-01	ZENER DIODE 3.9V ZD101
130-410051-01	ZENER DIODE 5.1V 1/2W +-5% ZD601
130-410056-01	ZENER DIODE 5.6V ZD604
130-410082-01	ZENER DIODE 8.2V ZD901
130-410100-01	ZENER DIODE 10V 1/2W ZD403,405
130-410574-00	ZENER DIODE UPC 574J NEC OR KA33V SAMSUNG ZD102
130-411091-01	ZENER DIODE 9.1V ZD902,401,402
130-422120-00	ZENER DIODE 1W 12V ZD404
130-422120-90	ZENER DIODE 12V 1W +-5% ZD406
130-512044-00	LED 3MM RED 204HDC LED601
131-211013-18	TRANSISTOR 2SA1013 (R) TOSHIBA Q906
131-211015-00	TRANSISTOR 2SA1015 TOSHIBA Q101,102,103,610
131-220774-20	TRANSISTOR 2SB774/Q/R/S MATSUSHITA Q902
131-230388-00	TRANSISTOR 2SC388A TOSHIBA Q104
131-230945-00	TRANSISTOR 2SC945 NEC Q604,504,505,506,105
131-231317-00	TRANSISTOR 2SC1317 MATSUSHITA Q603
131-231815-25	TRANSISTOR 2SC1815 TOSHIBA Q903,901,609,107,108,601
131-232230-00	NPN-TR 2SC2230A-Y (TOSHI) TO92VCE=180V IC=.1A HFE=120-240 Q608
131-232335-30	TRANSISTOR 2SC2335 L/K NEC Q905

** THIS SPARE LIST IS MADE FOR TECHNICAL / MAINTENANCE REFERENCE ONLY **

Print Date : 03/28/96 PRODUCT CODE : 9420T0-280002-TV
 Page Number : 13 DESCRIPTION : 9420B PAL BG/AV IN/HEAD-PHONE S.GREY 240V SAA {SGS 47P}TEAC

Component Part	Description / Location
131-232482-00	TRANSISTOR 2SC2482 TOSHIBA Q402,501,502,503
131-240400-00	TRANSISTOR 2SD400E/F SANYO Q201,401
131-241431-00	TRANSISTOR 2SD1431 TOSHIBA WITH MICA SHEET (24MM X 33MM) Q904
131-241555-00	TRANSISTOR 2SD1555 TOSHIBA Q403
131-462369-00	TRANSISTOR PH2369 PHILIPS Q106
133-108213-31	IC TDA8213 SGS IC101
133-108217-31	IC TDA8217 SGS IC301
133-201013-33	I.C. TDA1013B PHILIPS IC201
133-208214-31	IC TDA8214B SGS IC401
133-306356-31	IC ST6356 SGS IC601
136-500002-00	REMOTE RECEIVER (HC-S202) OPT601
137-443618-20	CRYSTAL 4.43 MHZ X301
146-100001-14	POWER SWITCH (ESB-99957S COST COST REDUCTION) S602
146-100002-13	TACT SWITCH KSM0634A HDK S601,603,604,605,606,612
146-145000-00	TACT SWITCH TM116E UNITRONIC S607,608,609,610
160-101001-08	PIN CONNECTOR 1 PIN PLUG STRAIGHT CN501
160-102255-27	PIN CONNECTOR 2 PINS PLUG STRAIGHT (UL) (S.H.S) CN201,202
160-102805-08	PIN CONNECTOR 2 PIN PLUG STRAIGHT CN902
160-103805-08	PIN CONNECTOR 3 PIN PLUG STRAIGHT CN402
160-104805-08	PIN CONNECTOR 4 PIN PLUG STRAIGHT CN401
160-109255-27	PIN CONNECTOR 9 PINS PLUG CN301
161-540004-01	CRT SOCKET ISH-01 IN CHANG FOR CRT P.C.B.
166-445023-40	SPEAKER 2" X 3 1/2" 4 OHM 5W
172-522032-42	UL 1672 DOUBLE INSOLATION WIRE#22 320MM RED 10 X 10MM MAIN P.C.B. `F' TO `F'
172-522034-46	UL 1672 DOUBLE INSOLATION WIRE#22 340MM BLUE 10 X 10MM MAIN P.C.B. `G' TO `G'

** THIS SPARE LIST IS MADE FOR TECHNICAL / MAINTENANCE REFERENCE ONLY **

Print Date : 03/28/96 PRODUCT CODE : 9420T0-280002-TV
 Page Number : 14 DESCRIPTION : 9420B PAL BG/AV IN/HEAD-PHONE S.GREY 240V SAA {SGS 47P}TEAC

Component Part	Description / Location
172-620005-40	UL 1007 TOP COAT WIRE AWG 20 50MM BLACK 5 X 5MM 1- CRT SOCKET PIN 12 TO GND,1- MAIN PCB `L' TO `L'
172-620007-40	UL 1007 TOP COAT WIRE #20 70MMBLACK 5 X 5 MM MAIN P.C.B. `K' TO `K'
172-620014-40	UL 1007 TOP COAT WIRE AWG 20 140MM BLACK 10 X 10 MM MAIN P.C.B. `D' TO `D'
172-626004-40	UL 1007 TOP COAT WIRE AWG 26 40MM BLACK 5 X 5 MM MAIN P.C.B. `R145' TO `W184'
172-626008-40	UL 1007 TOP COAT WIRE AWG 26 80MM BLACK 10 X 10 MM Q904 LUG TO MAIN PCB `H', MAIN PCB `C' TO `C'
172-626010-40	UL 1007 TOP COAT WIRE AWG 26 100MM BLACK 10 X 10 MM Q403 LUG TO MAIN P.C.B. `E'
172-626012-40	UL 1007 TOP COAT WIRE AWG 26 120MM BLACK 10 X 10 MM MAIN PCB C126 GND TO R139 GND,C126 TO R142
172-626014-40	UL 1007 TOP COAT WIRE AWG 26 140MM BLACK 10 X 10 MM MAIN P.C.B. `M' TO `M'
172-626014-43	UL 1007 TOP COAT WIRE AWG 26 140MM ORANGE 10 X 10 MM MAIN P.C.B. `A' TO `A'
172-626018-43	UL 1007 TOP COAT WIRE AWG 26 180MM ORANGE 10 X 10 MM MAIN P.C.B. `B' TO `B'
172-726000-99	BARE WIRE 54MM W100-149,151-155,157,159-172,174,175-189,193,R148
172-726000-99	BARE WIRE 54MM W195-201,203-204,206-209,211,213-218,502-503
172-830080-99	FLAT BRIDED WIRE 1200MM FOR CRT GND
179-001010-00	OIL SLEEVING 1 MM DIA. FOR BR901,D904,404,ZD406
179-105000-00	UL PVC TUBE 5MM DIA L=950MM,400MM FOR SPL `L',550MM FOR SPK `R'
182-233150-03	FUSE T3.15A 250V F901
190-932001-00	CRT P.C.B. (140494)
190-94201F-XB	MAIN P.C.B. (051295)
191-100030-09	1 PIN SOCKET ASSM'Y L=300MM FOR CN501
191-200044-09	2 PIN SOCKET ASSM'Y L=440MM CN202 `2' TO SPK L `-', `1' TO SPK L `+'
191-200056-09	2 PIN SOCKET ASSM'Y L=560MM CN201 `2' TO SPK R `-', `1' TO SPK R `+'
191-300040-09	3 PIN SOCKET ASSM'Y CN402 `1' TO CRT P.C.B. `K'
191-300040-09	3 PIN SOCKET ASSM'Y CN402 `2' TO CRT P.C.B. `L'
191-300040-09	3 PIN SOCKET ASSM'Y CN402 `3' TO CRT P.C.B. `J'
191-901001-07	9 PIN SOCKET ASS'Y L=460MM CN301 TO CRT PCB `1' TO `A', `2' TO `B', `3' TO `C'
191-901001-07	9 PIN SOCKET ASS'Y L=460MM `4' TO `D', `5' TO `E', `6' TO `F', `7' TO `G'

** THIS SPARE LIST IS MADE FOR TECHNICAL / MAINTENANCE REFERENCE ONLY **

Print Date : 03/28/96 PRODUCT CODE : 9420T0-280002-TV
 Page Number : 15 DESCRIPTION : 9420B PAL BG/AV IN/HEAD-PHONE S.GREY 240V SAA {SGS 47P}TEAC

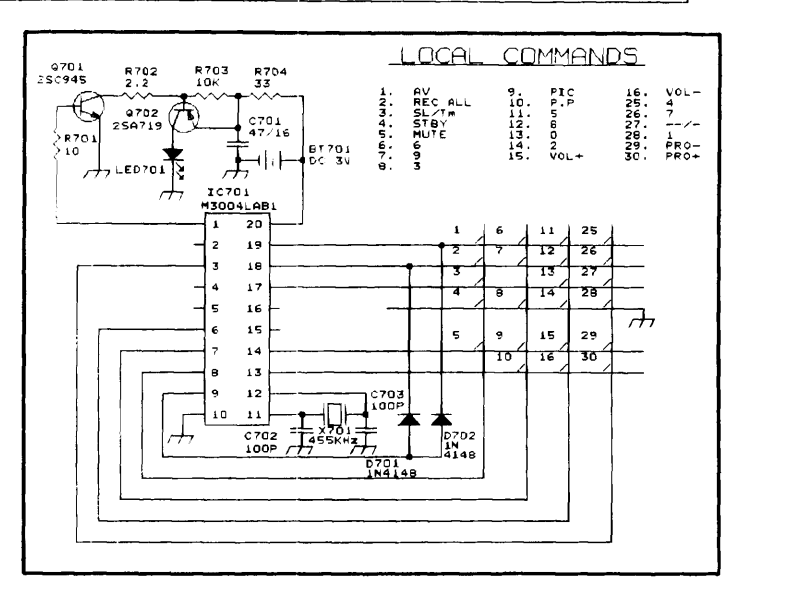
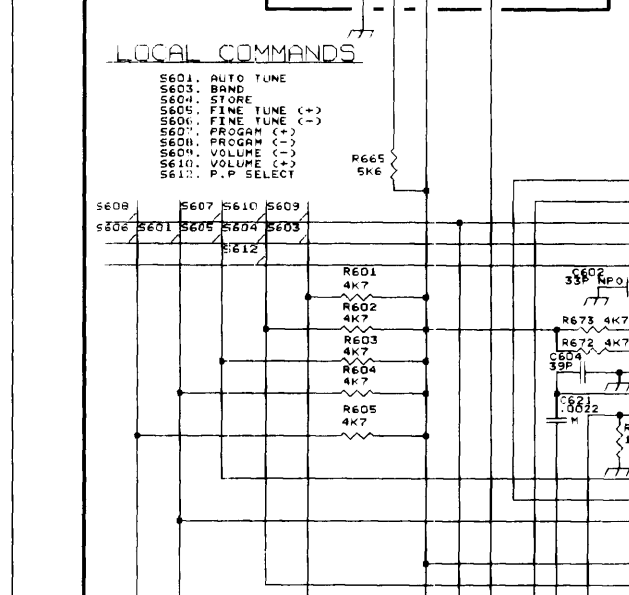
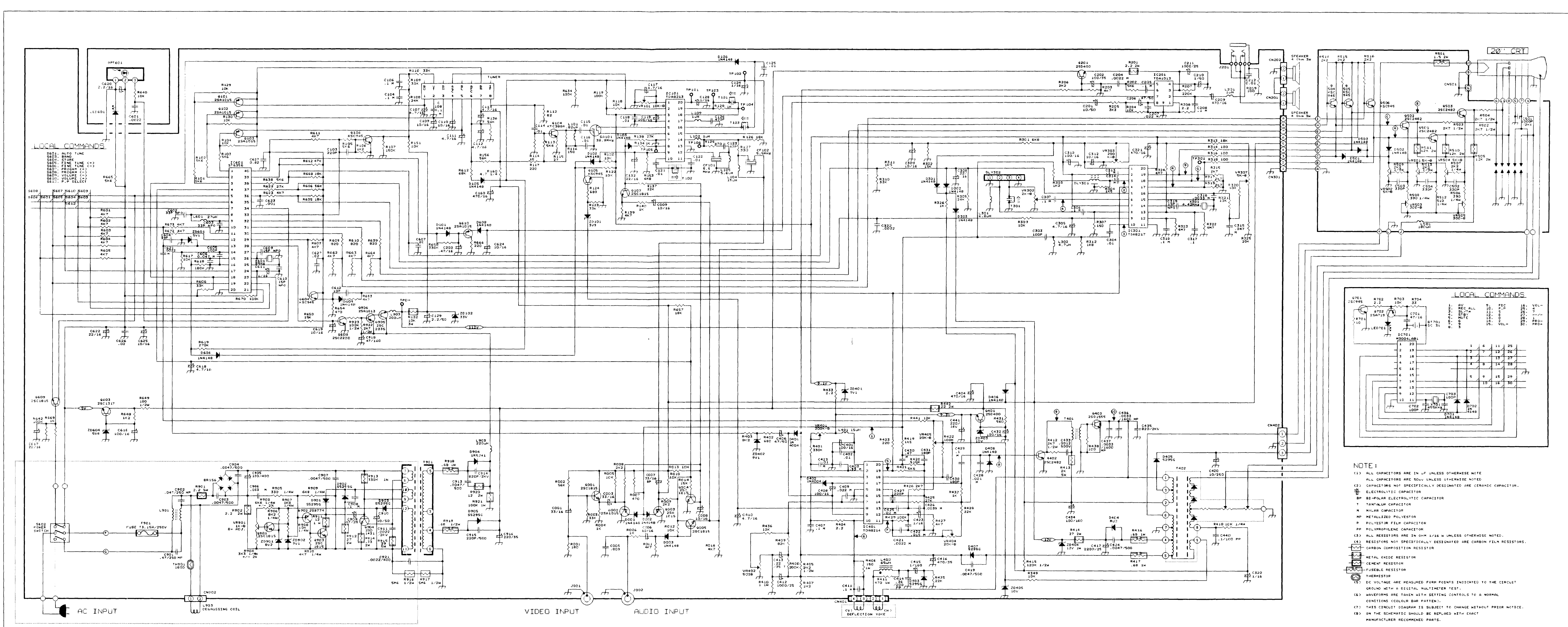
Component Part	Description / Location
191-901001-07	9 PIN SOCKET ASS'Y L=460MM `8' TO `H', `9' TO `I'
514-400412-10	SELF-TAPPING SCREW 4 X 12 B/T (HARDEN) FOR FBT
514-400425-10	SELF-TAPPING SCREW 4 X 25 B/T (HARDEN) FOR CABINET MTG
515-303408-10	SELF-TAPPING SCREW 3 X 8 W/B/T (HARDEN) FOR SPEAKER MTG,1-FOR HEAT SINK(P/N 781-932906-02)
515-303410-10	SELF-TAPPING SCREW 3 X 10 W/B/T (HARDEN) FOR PUSH BUTTON
516-500435-10	SEIF-TAPPING SCREW 5X35 P/T (HARDEN) FOR CABINET MTG
517-303312-10	SELF-TAPPING SCREW 3 X 12 W/A W/H=7MM (HARDEN) FOR HEAT SINK (A) & (B)
524-932901-01	CRT MOUNTING SCREW 7 X 40 VP (HARDEN) FOR CRT MTG
540-020040-01	BRASS EYELET 2X4MM FOR 2-AC LINE CORD 4-AC WIRE `G' AND `F',4-L901
540-020040-01	BRASS EYELET 2X4MM 2-L402,2-R411,2-T402 PIN`1`2',1-Q403`C',1-Q904`C'
540-025040-01	BRASS EYELET 2.5X4MM FOR C905
580-101261-01	CABLE TIE L=100MM
622-882802-00	FELT L240 X W17 X T0.5MM W/TAPE FOR REAR CABINET
744-881301-00	SPRING FOR C.R.T. MOUNTING 5.2 X 42 X 0.6MM
746-063101-00	TEST PIN:TOTAL LENGTH 18.6MM THK:0.8MM TP103,104
750-063101-00	SOLDERING LUG LEG:8X4MM FOR HEAT SINK (A) & (B)
766-686801-00	FUSE HOLDER FOR F901
777-942101-00	SPRING IN 8.4 X L18 FOR POWER KNOB
780-931301-00	BRASS HEAT SINK FOR IC401
781-882001-02	ALUMINIUM HEAT SINK (B) FOR Q403
781-932906-02	ALUMINIUM HEST SINK (E)
781-942101-01	HEAT SINK (A) FOR Q904
783-931301-01	SHIELD CAN
783-931302-02	SHIELD CAN COVER
810-052204-14	POLYBAG 5" X 22" X 0.04MM PO MAT W/RE-CYCLING MARK FOR AC LINE CORD
810-091504-13	POLYBAG 9" X 15" X 0.04MM W/ RE-CYCLING MARK I/M
834-230802-00	RUBBER WASHER OD=23, ID=8, T=2
834-230805-00	RUBBER WASHER OD=23 ID=8 T=0.5

** THIS SPARE LIST IS MADE FOR TECHNICAL / MAINTENANCE REFERENCE ONLY **

Print Date : 03/28/96 PRODUCT CODE : 9420T0-280002-TV
Page Number : 16 DESCRIPTION : 9420B PAL BG/AV IN/HEAD-PHONE S.GREY 240V SAA {SGS 47P}TEAC

Component Description / Location
Part

840-011024-21 PAD CORD L240 X W10 X T1 MM W/TAPE
 BETWEEN CRT AND FRONT CAB.
840-051030-11 RUBBER PAD (ONE SIDE W/TAPE)
 FOR P.C.B.
840-051520-11 RUBBER PAD (ONE SIDE W/TAPE)
 FOR FBT.
929-881301-00 LED HOLDER BKT
 FOR LED601
939-942101-00 POWER KNOB ADAPTOR
954-882100-00 AC LINE CORD CLIP
954-892001-00 HIGH VOLTAGE SPACER
977-882001-01 PUSH BUTTON - BLACK MOULDED
991-942110-01 POWER KNOB(B)ABS BLACK MOULDED



NOTE:

- (1) ALL CAPACITORS ARE IN μ F UNLESS OTHERWISE NOTED.
- (2) ALL CAPACITORS ARE 50V UNLESS OTHERWISE NOTED.
- (3) COMPONENTS NOT SPECIFICALLY DESIGNATED ARE CERAMIC CAPACITORS.
- (4) ELECTROLYTIC CAPACITOR.
- (5) BIPOLAR ELECTROLYTIC CAPACITOR.
- (6) TANTALUM CAPACITOR.
- (7) MOLAR CAPACITOR.
- (8) METALLIZED POLYESTER.
- (9) POLYESTER FILM CAPACITOR.
- (10) POLYPROPYLENE CAPACITOR.
- (11) ALL RESISTORS ARE IN Ω UNLESS OTHERWISE NOTED.
- (12) RESISTORS NOT SPECIFICALLY DESIGNATED ARE CARBON FILM RESISTORS.
- (13) CARBON COMPOSITION RESISTOR.
- (14) METAL GLAZE RESISTOR.
- (15) CEMENT RESISTOR.
- (16) FUSIBLE RESISTOR.
- (17) THERMISTOR.

DC VOLTAGE ARE MEASURED FROM POINTS INDICATED TO THE CIRCUIT GROUND WITH A DIGITAL MULTIMETER TEST.

(18) WAVEFORMS ARE TAKEN WITH SERVING CONTROLS TO A NORMAL POSITION (LOCAL OR B&W PATTERN).

(19) THIS CIRCUIT DIAGRAM IS SUBJECT TO CHANGE WITHOUT PRIOR NOTICE.

(20) ON THE SCHEMATIC SHOULD BE REPLACED WITH EXACT MANUFACTURER RECOMMENDED PARTS.

MTI-TECH VIDEO ENGINEERING LTD.
 L1718 OPTI-TRON SYSTEM BY I
 SCHEMATIC DIAGRAM
 SYSTEM TYPE: B&W
 E. TRADES
 MADE BY: IRELAND

